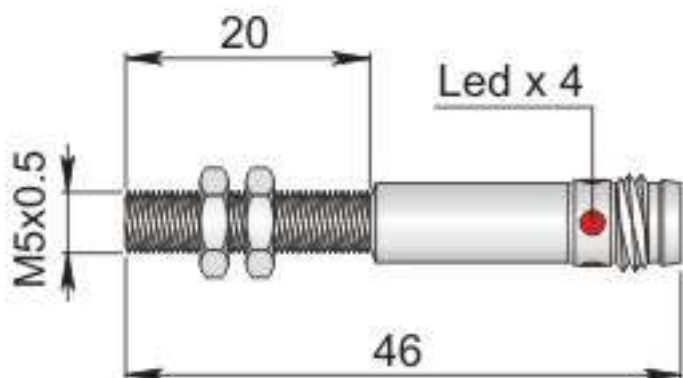




CODE: I45000016 DESCRIPTION: SI5-C0.8 PNP NO H1



KEY: ■ Standard switching distance ★ Extended switching distance ▲ Embeddable ● Not embeddable

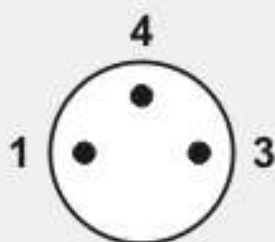
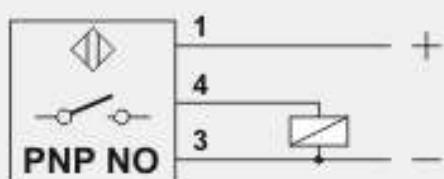
TECHNICAL CHARACTERISTICS

POWER SUPPLY :	DIRECT CURRENT
WORKING VOLTAGE :	6 ÷ 30 V
SWITCHING DISTANCE (S _n) :	0.8 mm
OUTPUT LOGIC :	PNP
OUTPUT TYPE :	NO
HYSTERESIS (% S _n) :	< 10%
MAX SWITCHING FREQUENCY :	2000 Hz
REPEATABILITY (% S _n) :	≤ 3
MAX OUTPUT CURRENT :	150 mA
ABSORPTION :	< 10 mA @ 24Vdc
VOLTAGE DROP :	< 1.4 V
SHORT CIRCUIT PROTECTION :	PRESENT
LED :	PRESENT
TEMPERATURE LIMITS :	-25 ÷ 70 °C
IP RATING :	DEPENDING ON CONNECTOR
HOUSING MATERIAL :	STAINLESS STEEL
MECHANICAL CHARACTERISTICS :	M5x0.5
CONNECTION TYPE :	H1 PLUG
WEIGHT :	20 g



CODE: I45000016 DESCRIPTION: SI5-C0.8 PNP NO H1

CONNECTION WITH H1 PLUG

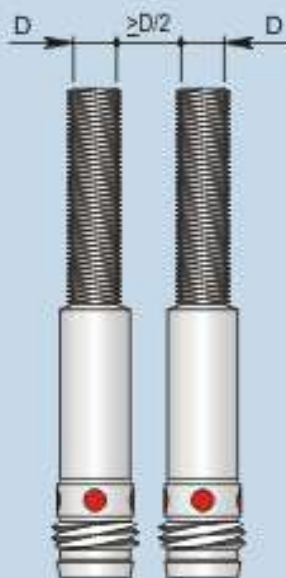


VIEW OF MALE CONNECTOR

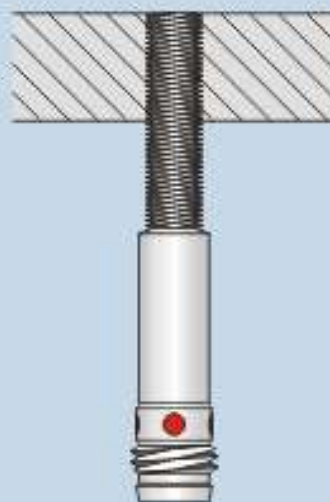
- 1 = Brown / +
- 3 = Blue / -
- 4 = Black / output NC

INSTRUCTIONS FOR CORRECT INSTALLATION

EMBEDDABLE



Side by side mounting



Flush mounting